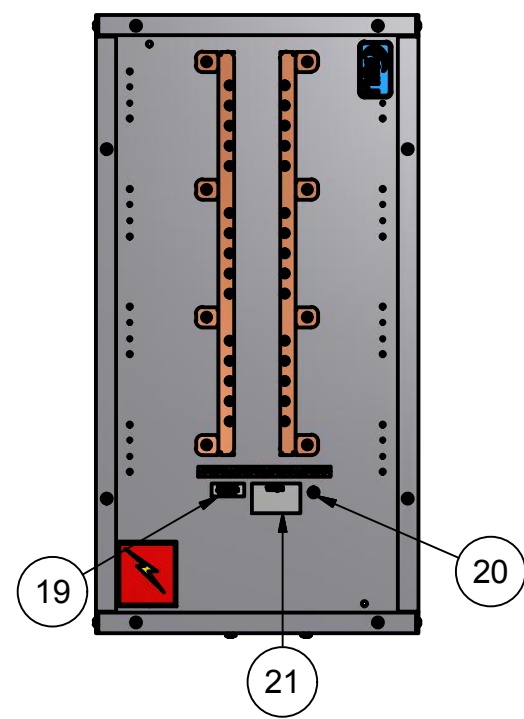
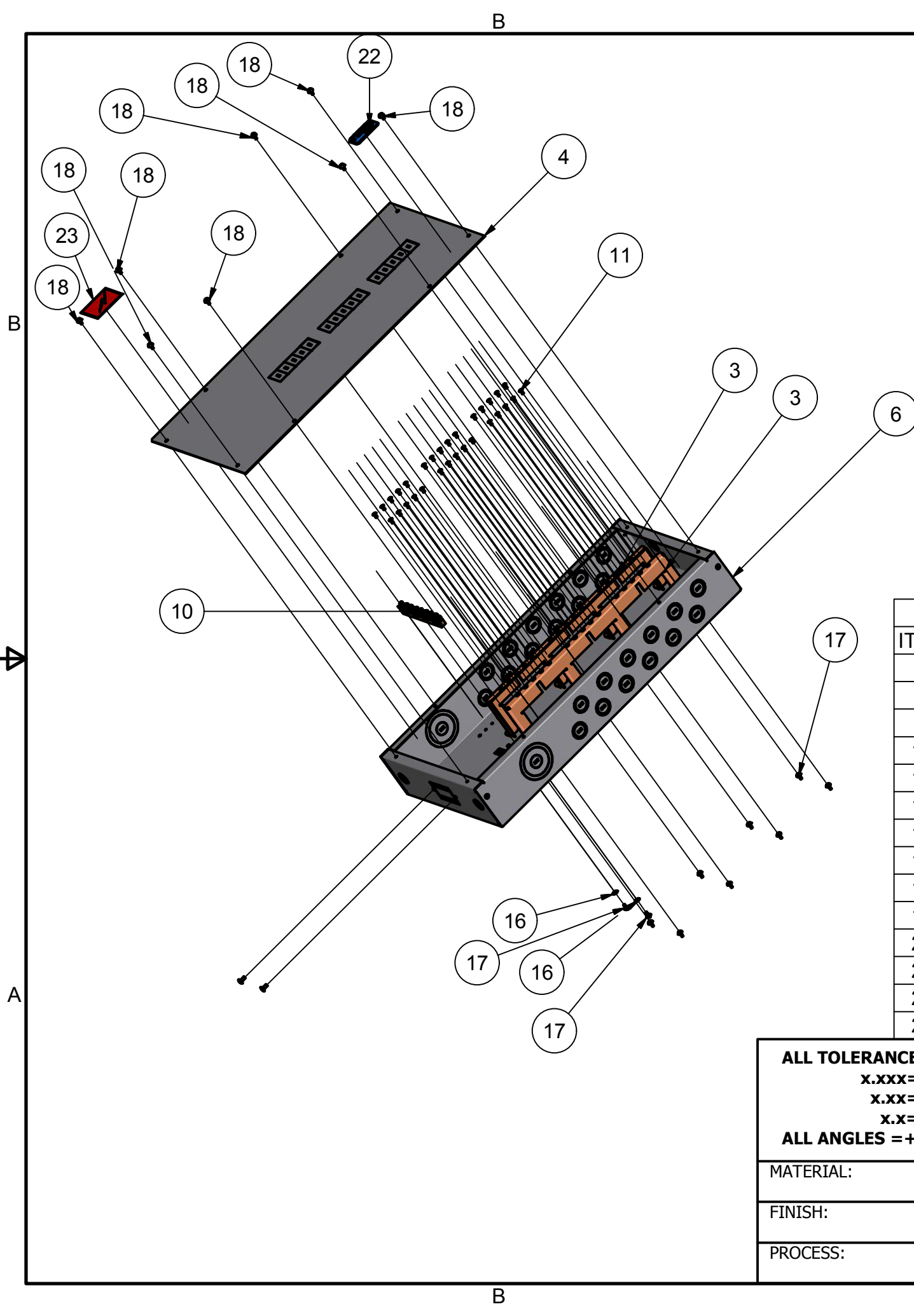


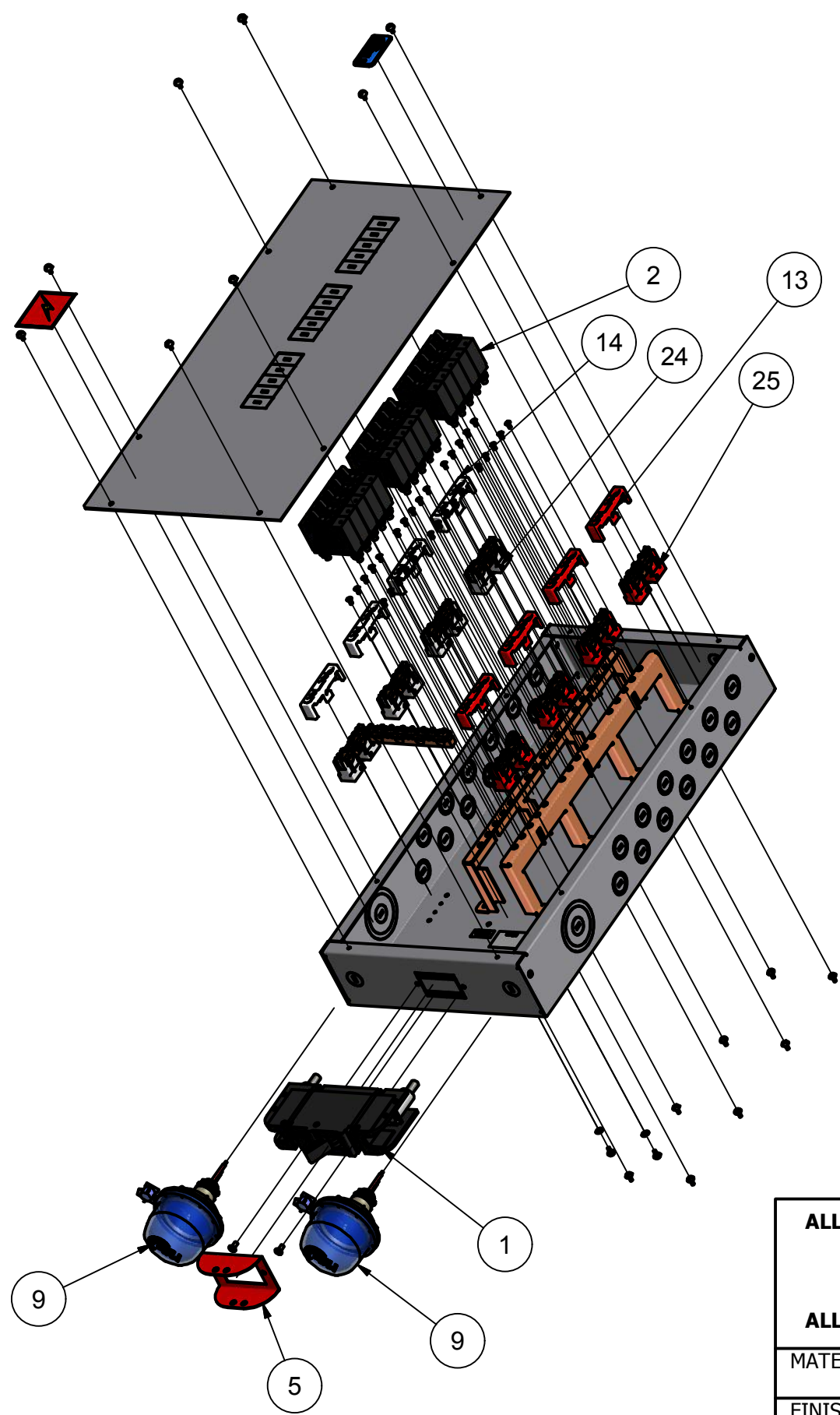
REVISION HISTORY			
REV.	DESCRIPTION OF CHANGE	DATE	SIGN
A	PRODUCTION RELEASE	7/25/12	RAQ
B	ADDED ADDITIONAL SHEET WITH OPTIONS	7/26/12	RAQ



PARTS LIST			
ITEM	QTY	PART NUMBER	DESCRIPTION
3	2	3-376-1 REV B MNDC15 BREAKER BRACKET	3-376-1 REV B MNDC12 BREAKER BRACKET
4	1	3-375-1 REV B MNDC15 COVER	3-375-1 REV B MNDC15 COVER
6	1	3-374-10 REV B MNDC15 CHASSIS ASSY	3-374-10 REV B MNDC15 CHASSIS ASSY
10	1	9-291-1 BUSBAR 15 POSITION	9-291-1 BUSBAR 15 POSITION
11	30	6-178-1 SCREW 6-32 X .5-16 FHP SS	6-178-1 SCREW 6-32 X .5-16 FHP SS
15	2	6-006-1 10-32X.375 SCREW SS	6-006-1 10-32X.375 SCREW SS
16	2	6-017-1 INT. STAR WASHER 10	6-017-1 INT. STAR WASHER NO.10 SS
17	10	6-037-1 SCREW SMS 10 X.4125 PHP SS	6-037-1 SCREW SMS 10-32 X.313 PHP SS
18	8	6-007-1 SCREW SMS 10 X.375 PHP SS	6-007-1 SCREW SMS 10-32 X.375 PHP SS
19	1	10-025-1-I EQUIPMENT GND	10-025-1-I EQUIPMENT GND
20	1	10-025-1-H GND	10-025-1-H GND
21	1	10-025-1-C TORQUE	10-025-1-C TORQUE
22	1	5-029-1 badge2	5-029-1 badge2
23	1	10-202-2 HV SKULL LABEL	10-202-2 HV SKULL LABEL

ALL TOLERANCES, UNLESS OTHERWISE STATED: x.xxx=+/-0.005" x.xx=+/-0.01" x.x=+/-0.05" ALL ANGLES =+/- 1° UNLESS OTHERWISE STATED		DRAWN Bob Q 7/26/2012			
MATERIAL: _____ STANDARDS: _____ FINISH: _____ PROCESS: _____		CHECKED _____ QA _____ MFG _____ APPROVED _____		TITLE MNDC15 REV B ASSY	
		SIZE B	PROJECT: MNDC15	DWG NO MNDC15 REV B ASSY	REV B
E-FILE:MNDC15 REV A ASSY.iam SHEET 1 OF 2					

REVISION HISTORY			
REV.	DESCRIPTION OF CHANGE	DATE	SIGN



OPTIONS

ITEM 1 COMES IN 3 RATED SIZES
 9-007-1 250 AMP., 150 VDC
 9-006-1 175 AMP., 150VDC

ITEM 2 COMES IN THE FOLLOWING RATED SIZES
 5, 10, 15, 20, 30, 40, 50, 60, 70, 80, 90, 100 AMP 150VDC Panel Mount


ITEM 5 CAN BE OBTAINED UNDER PART NUMBER
 MNBreaker Protector

ITEM 9 COMES IN THE FOLLOWING RATED SIZES
 MNSPD-115
 MNSPD-300
 MNSPD-600
 MNSPD-1000
 MNSPD-3P208
 MNSPD-3P408

ITEM 13 AND 14
 MN1/0SBBC-R FOR RED
 MN1/0SBBC-W FOR WHITE
 MN1/0SBBC-B FOR BLACK

ITEM 24 and 25
 MNTBB-R FOR RED
 MNTBB-W FOR WHITE
 MNTBB-B FOR BLACK

ALL TOLERANCES, UNLESS OTHERWISE STATED: x.xxx=+/-0.005" x.xx=+/-0.01" x.x=+/-0.05"		DRAWN Bob Q	7/26/2012
MATERIAL:		CHECKED	
FINISH:		QA	
PROCESS:		MFG	
STANDARDS:		APPROVED	

MIDNITE SOLAR, INC 

TITLE
MNDC15 REV B ASSY

SIZE B	PROJECT: MNDC15	DWG NO MNDC15 REV B ASSY	REV B
-----------	--------------------	-----------------------------	----------

E-FILE:MNDC15 REV A ASSY.iam SHEET 2 OF 2