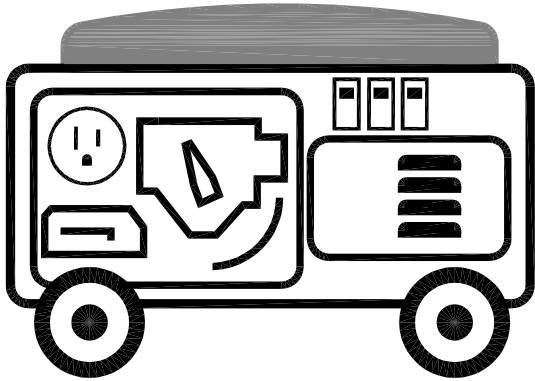
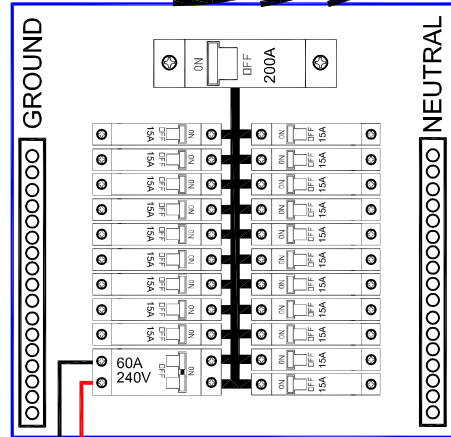


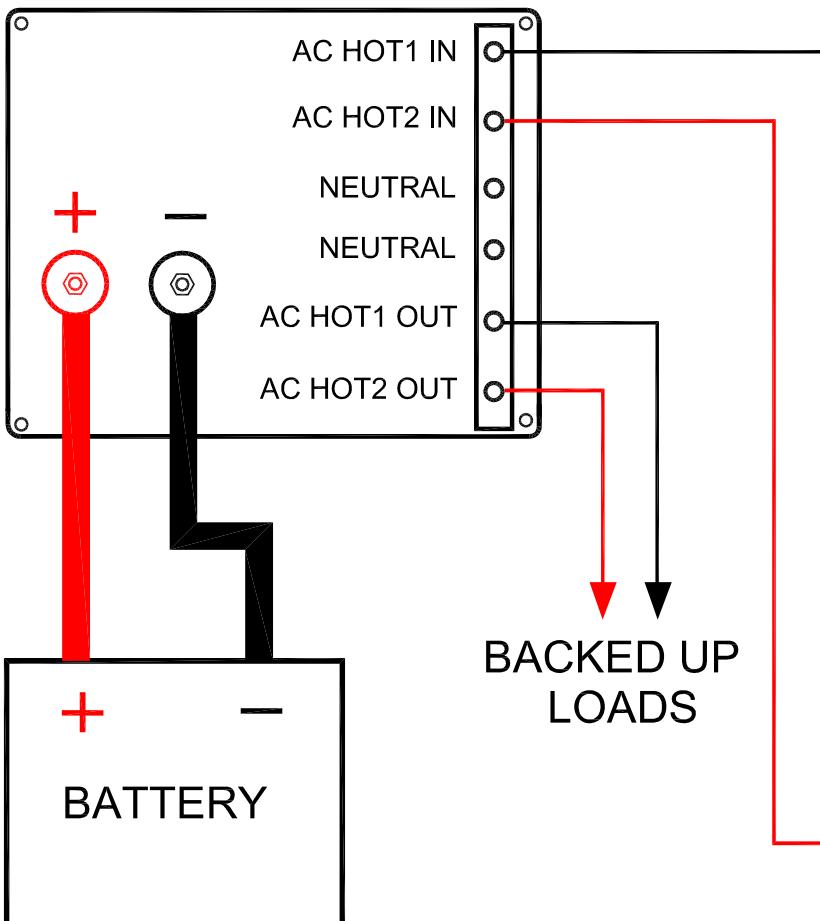
240VAC  
GENERATOR



MAIN SERVICE  
ENTRANCE



INVERTER



TRANSFER  
SWITCH

